

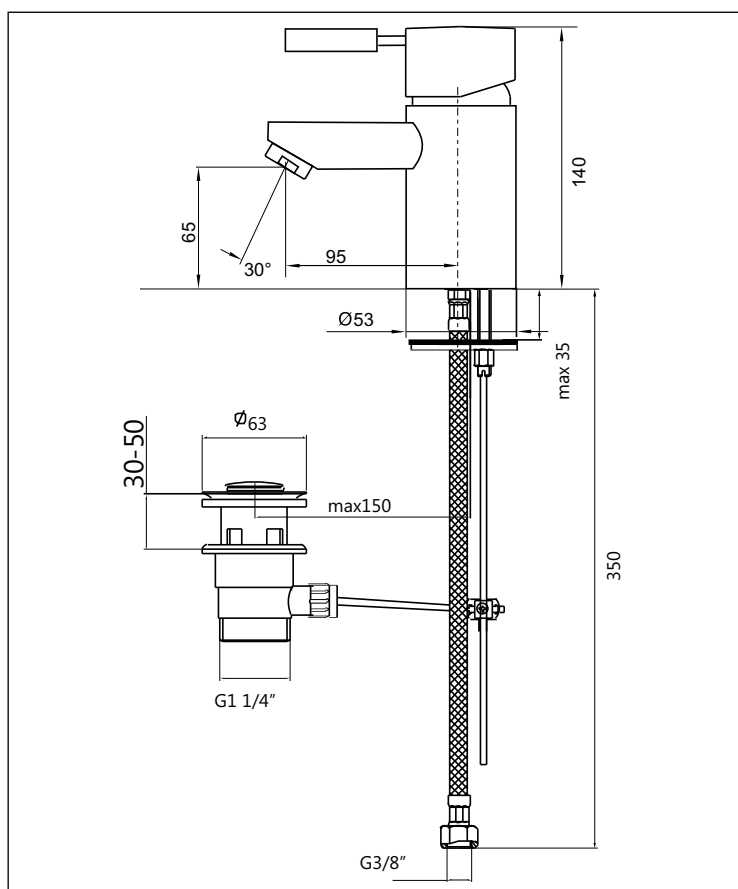
IPURI



KAJA IPURI Single-lever basin mixer DN15 with pop-up waste

flow rate A
output 13 l/min
at 3 bar flow pressure

extension 95 mm
with pop-up waste, aerator M24x1,
flexible connection hoses,
ECO mixing cartridge with SiC-/ceramic-disks
and adjustable temperature limiter



| finish | code with stick lever | code with ring lever |
|--------|--------------------------|-------------------------|
| chrome | 55030-C | 52030-C |