

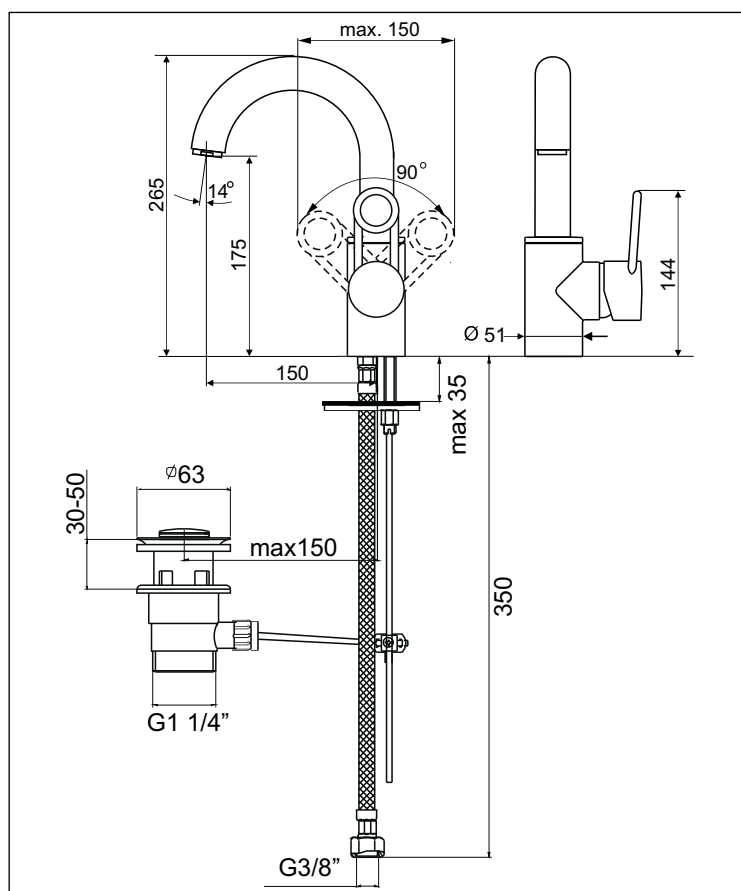
IPURI



KAJA IPURI Single-lever basin mixer DN15 with pop-up waste

flow rate A
output 13 l/min
at 3 bar flow pressure

extension 150 mm
with pop-up waste, aerator M24x1,
flexible connection hoses,
ECO mixing cartridge with SiC-/ceramic-disks
and adjustable temperature limiter



| finish | code with ring lever |
|---|----------------------|
| chrome | 52120-C |
| different product options (see following pages) | |
| for unpressurised water heaters | |

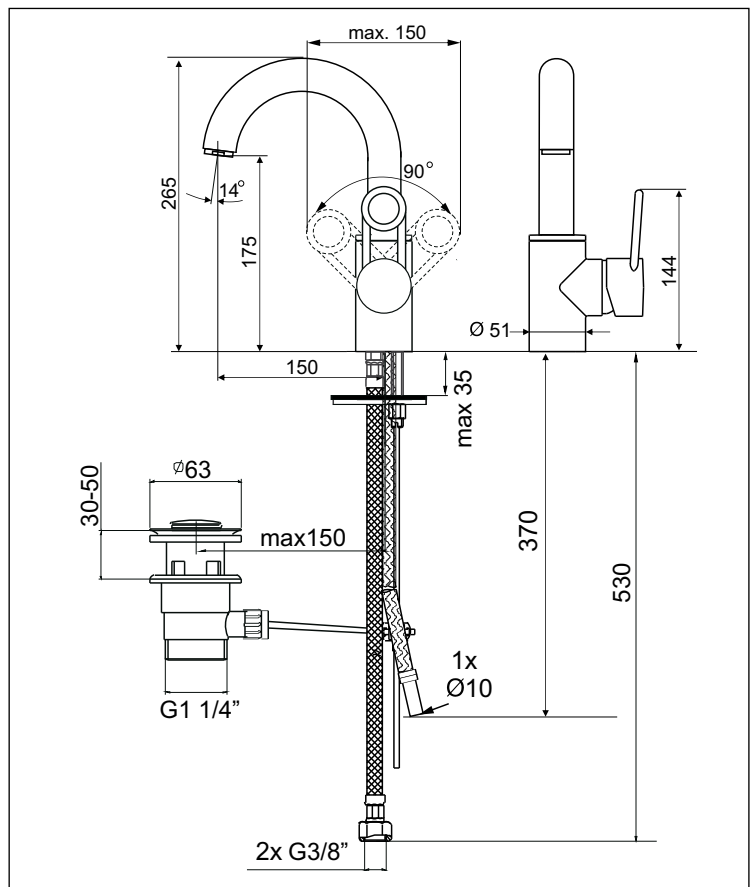
IPURI



KAJA IPURI Single-lever basin mixer DN15 for unpressurised water heaters ⚡ with pop-up waste

flow rate A
output 13 l/min
at 3 bar flow pressure

extension 150 mm
with pop-up waste, aerator M24x1,
flexible connection hoses,
ECO mixing cartridge with SiC-/ceramic-disks
and adjustable temperature limiter



| finish | code with ring lever |
|--------|----------------------|
| chrome | 52915-C |