

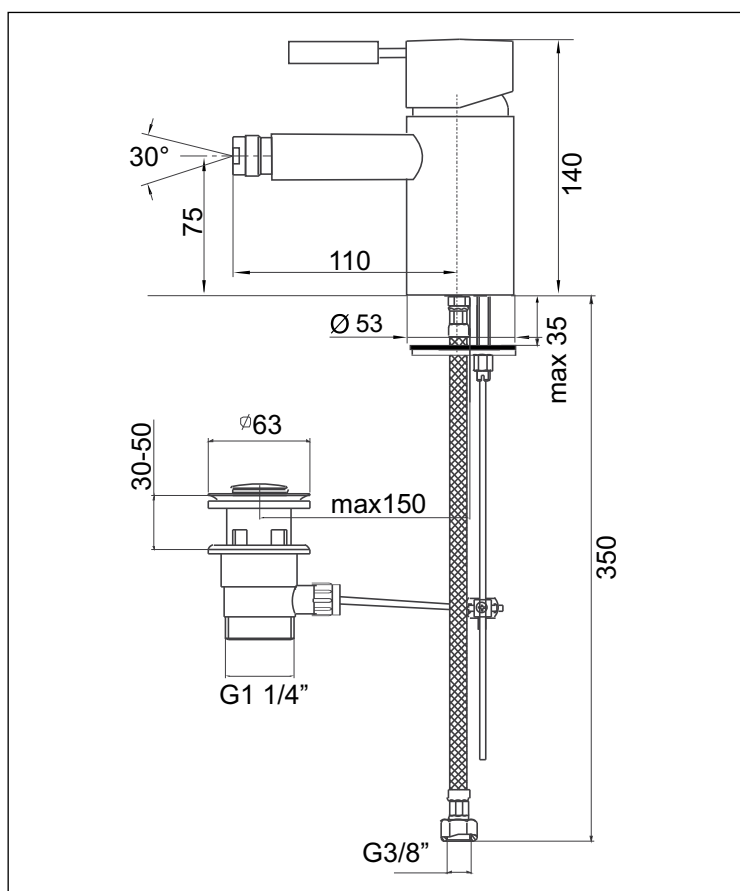
IPURI





KAJA IPURI Single-lever bidet mixer DN15 with pop-up waste

flow rate A
output 13 l/min
at 3 bar flow pressure

with pop-up waste,
ball-joint-jet M 24x1,
flexible connection hoses,
ECO mixing cartridge with SiC-/ceramic-disks
and adjustable temperature limiter



finish	 code with stick lever	 code with ring lever
chrome	55220-C	52220-C