

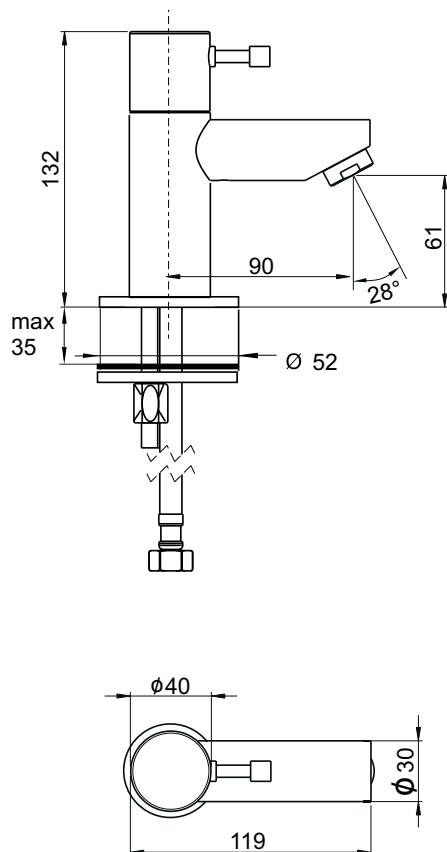
# IPURI



## KAJA IPURI Pillar tap DN15

flow rate A,  
output 13 l/min  
at 3 bar flow pressure,

extension 90 mm, aerator M24x1,  
handle with ceramic gasket,  
flexible connection hose



finish	code
--------	------

chrome	20505-C
--------	---------

different product options (see following pages)

with height plinth

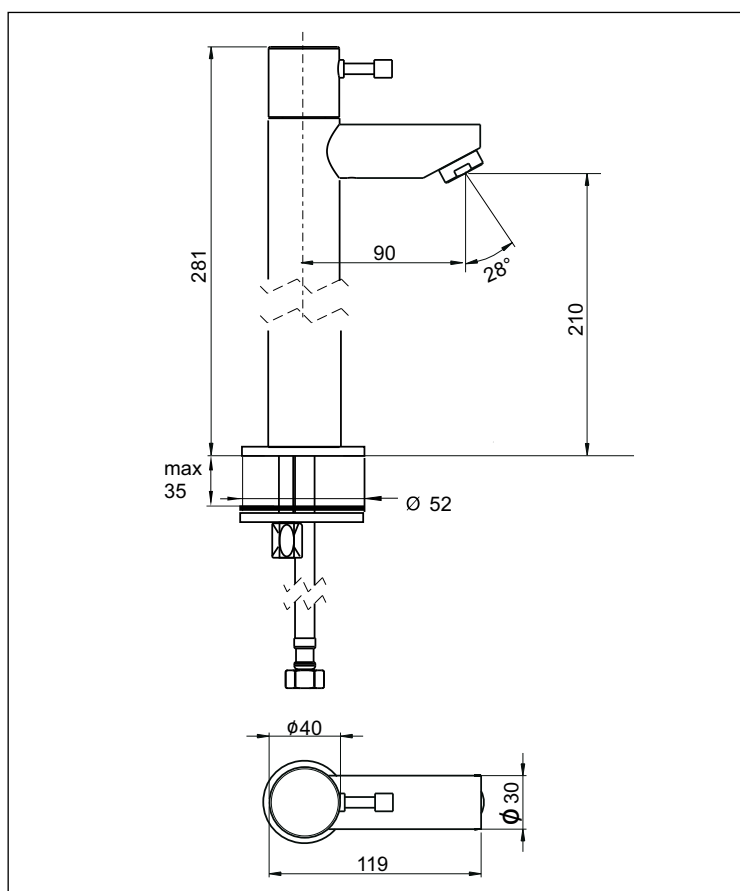
# IPURI



## KAJA IPURI Pillar tap DN15 with height plinth

flow rate A,  
output 13 l/min  
at 3 bar flow pressure,

with height plinth ,  
extension 90 mm, aerator M24x1,  
handle with ceramic gasket,  
flexible connection hose



finish	code
chrome	20506-C