

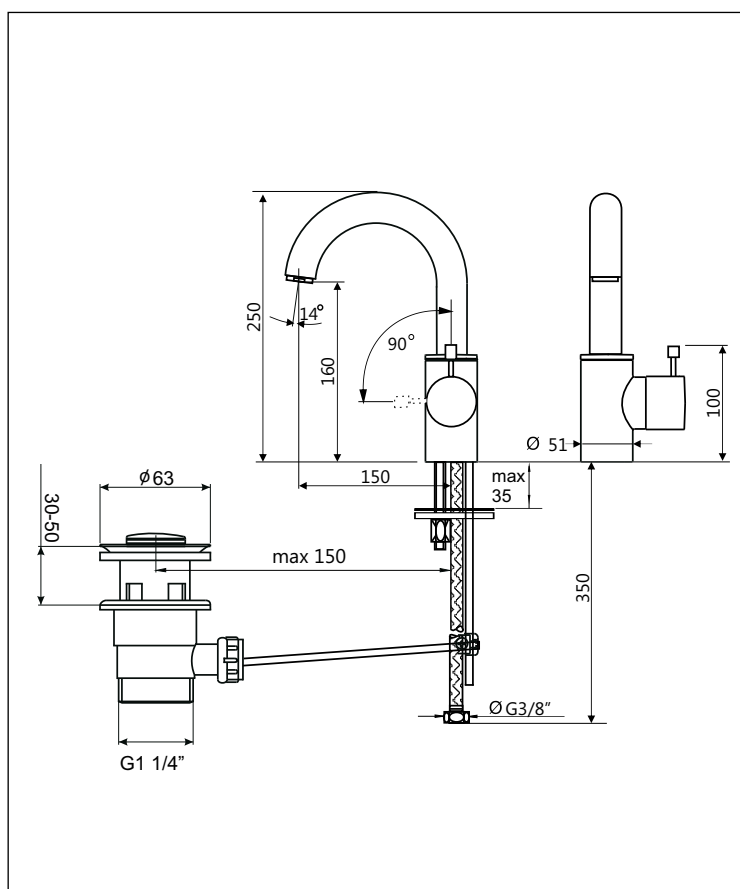
IPURI



KAJA IPURI Pillar tap with swivel spout DN15 with pop-up waste

flow rate A,
output 13 l/min
at 3 bar flow pressure,

with pop-up waste,
extension 150 mm, aerator M24x1,
handle with ceramic gasket,
flexible connection hose



finish	code
chrome	20504-C
different product options (see following pages)	
without pop-up waste	

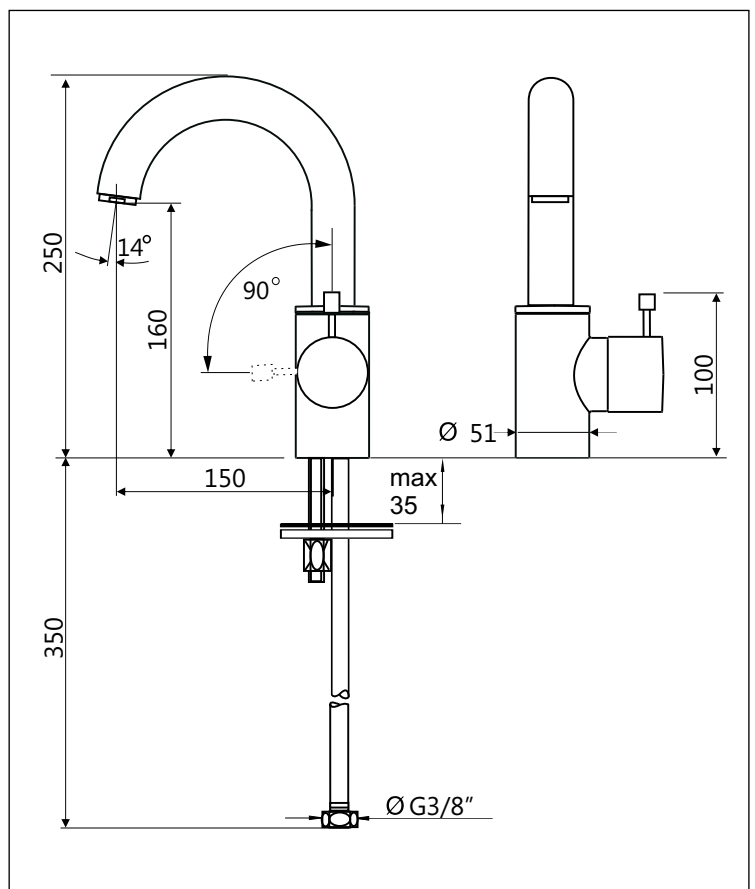
IPURI



KAJA IPURI Pillar tap with swivel spout DN15

flow rate A,
output 13 l/min
at 3 bar flow pressure,

without pop-up waste,
extension 150 mm, aerator M24x1,
handle with ceramic gasket,
flexible connection hose



finish	code
chrome	20502-C