

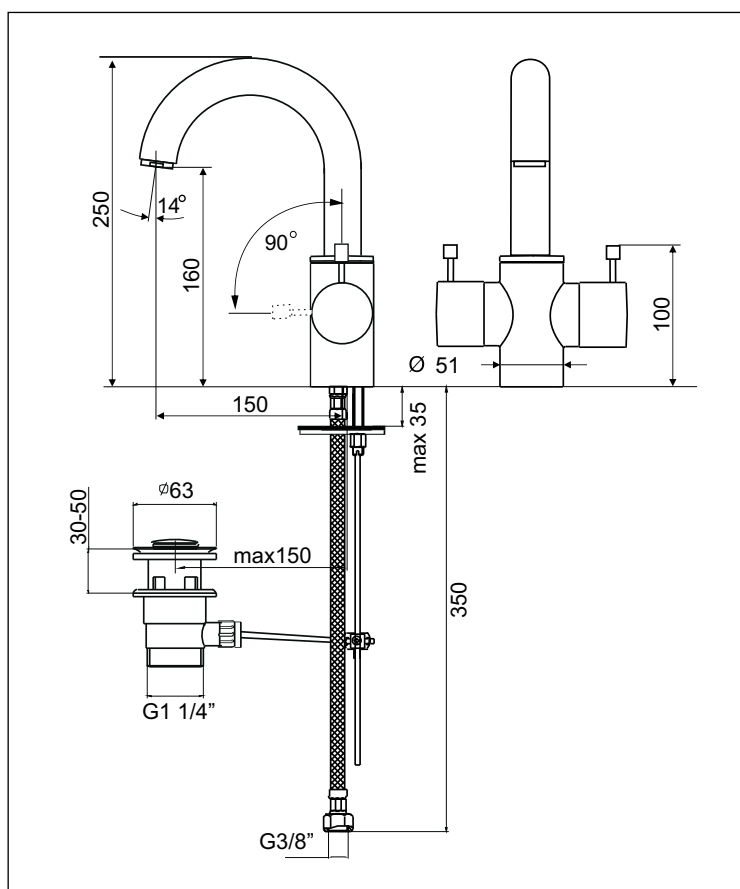
IPURI



KAJA IPURI Twin-handle basin mixer DN15 with pop-up waste

flow rate A
output 13 l/min
at 3 bar flow pressure

with pop-up waste,
extension 150 mm, with aerator M 24x1,
flexible connection hoses
and handles with ceramic gaskets



finish	code
chrome	21504-C