

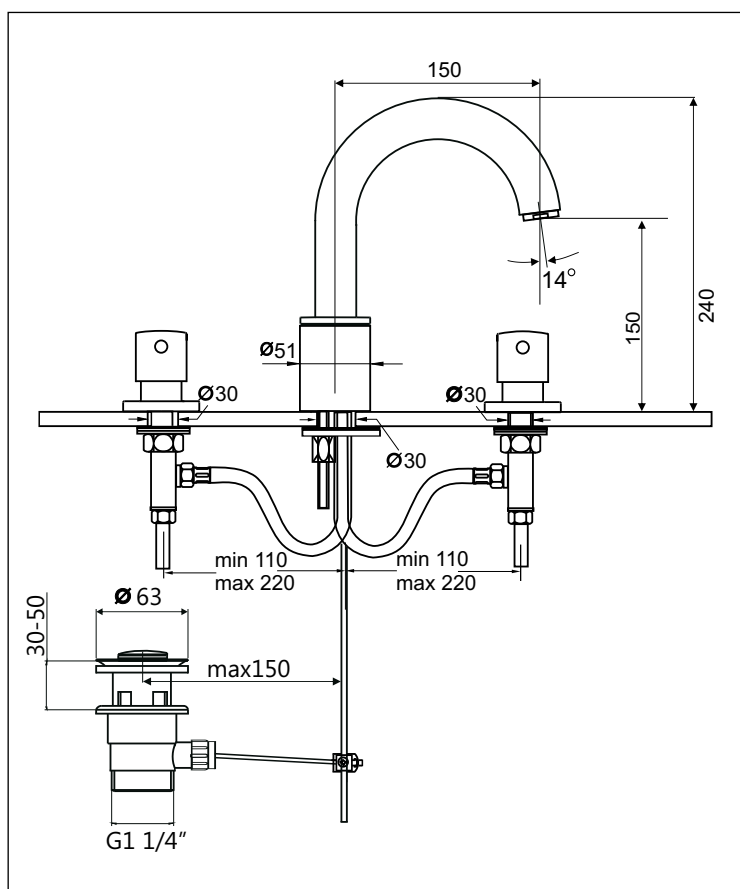
IPURI

KAJA IPURI Three-hole basin mixer DN15 with pop-up waste



flow rate A
output 13 l/min
at 3 bar flow pressure

with pop-up waste,
swivel spout, extension 150 mm,
aerator M 24x1, flexible connection hoses
and handles with ceramic gaskets



finish	code
chrome	20501-C