

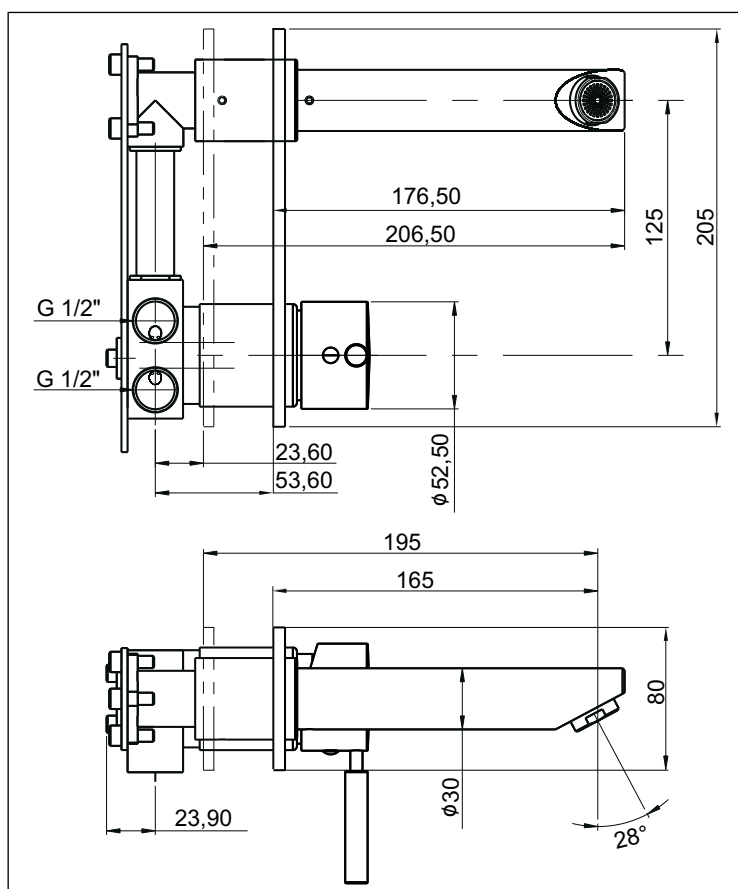
IPURI



KAJA IPURI Twin-hole wall-mounted basin mixer DN15



flow rate A
output 13 l/min
at 3 bar flow pressure

aerator M 24x1,
concealed assembly unit,
ECO mixing cartridge with SiC-/ceramic-disks
and adjustable temperature limiter



finish	 code with stick lever	 code with ring lever
chrome	55180-C	52180-C