

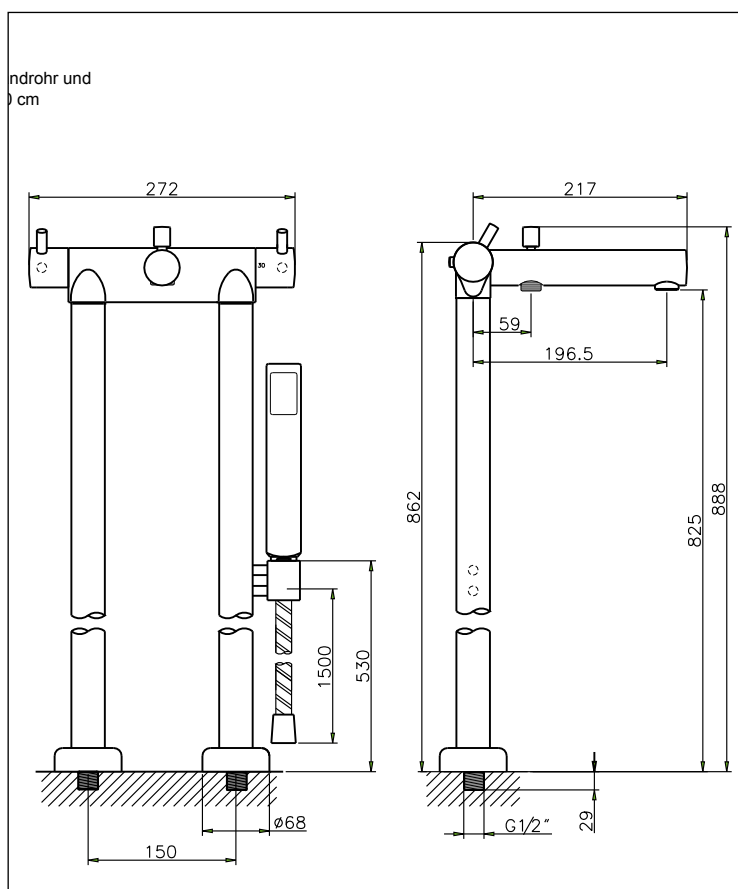
# IPURI



## KAJA IPURI Floor-mounted free-standing thermostatic mixer

flow rate BB  
output 19/19 l/min  
at 3 bar flow pressure

with aerator M 28x1, shower hose connection 1/2",  
back-flow preventer, isolated temperature control  
handle with safety stop at 38 °C,  
flow control valve with ceramic gasket discs and ECO  
device, replaceable temperature control unit,  
automatic conversion bath tub/hand shower  
and stand pipes with shower set incl. Ipuri hand shower,  
shower hose 150 cm and hand shower holder



finish	code
chrome	34595-C