

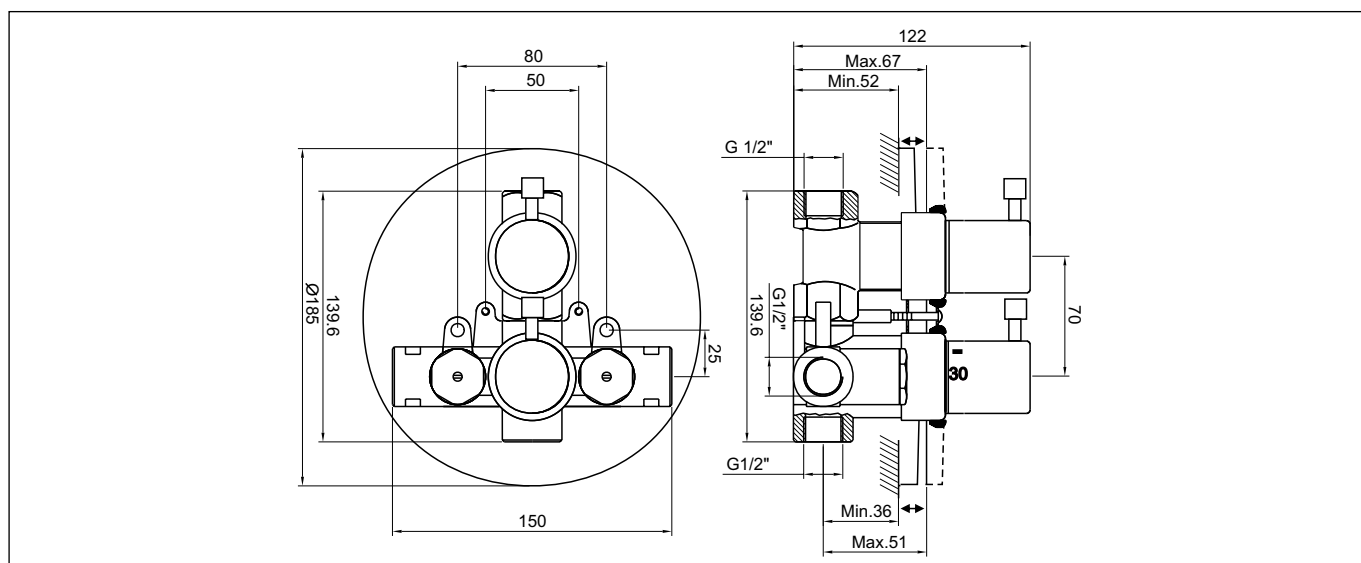
IPURI

KAJA IPURI Concealed thermostat mixer with integrated stop cock



with isolated temperature control handle
with safety stop at 38°C,
flow control valve,
wall cover plate,
cover sleeves and fixing material

finish	code
chrome	34552-C
different product options (see following pages)	
Concealed bodies	



CONCEALED THERMOSTATIC MIXERS

PRE-ASSEMBLY

Concealed mixers and concealed thermostatic mixers consist of two units: the functional unit that is installed inside the wall, and the trim kit which is visibly fitted to the wall. The two units have to match.

Concealed body
with integrated stop valve
34580



Pre-assembly-kit



34852-C

AQUADRAT

Trim kit

Concealed body
with integrated stop valve
34350



Pre-assembly-kit



34552-C



34252-C

IPURI

Trim kit

STYLE

Concealed body
with 2-way diverter
34355



34555-C



34255-C

Concealed body
without shut-off



34562-C



34262-C