

IPURI

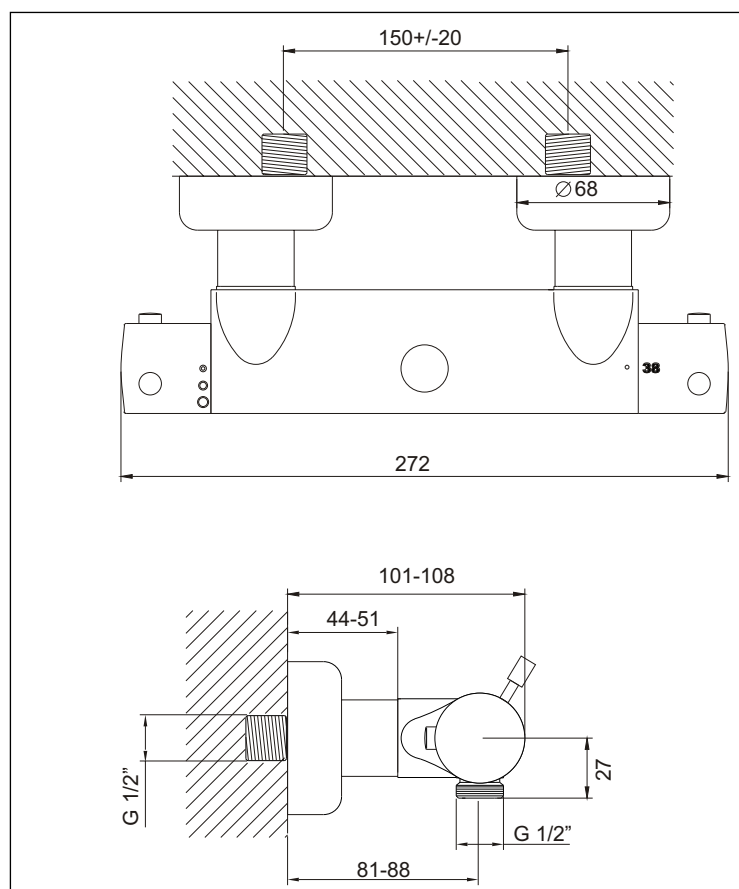


KAJA IPURI Shower thermostatic mixer DN 15 with shower set

flow rate B
output 18 l/min
at 3 bar flow pressure

with shower set,
with shower hose connection 1/2", back-flow preventer,
isolated temperature control handle with safety stop at
38°C, flow control valve with ceramic gasket disks and
ECO device, replaceable temperature control unit,
concealed S-connectors with sliding-bar shower-set incl.
sliding-bar 90 cm,

Ipuri hand-shower and shower-hose 150 cm



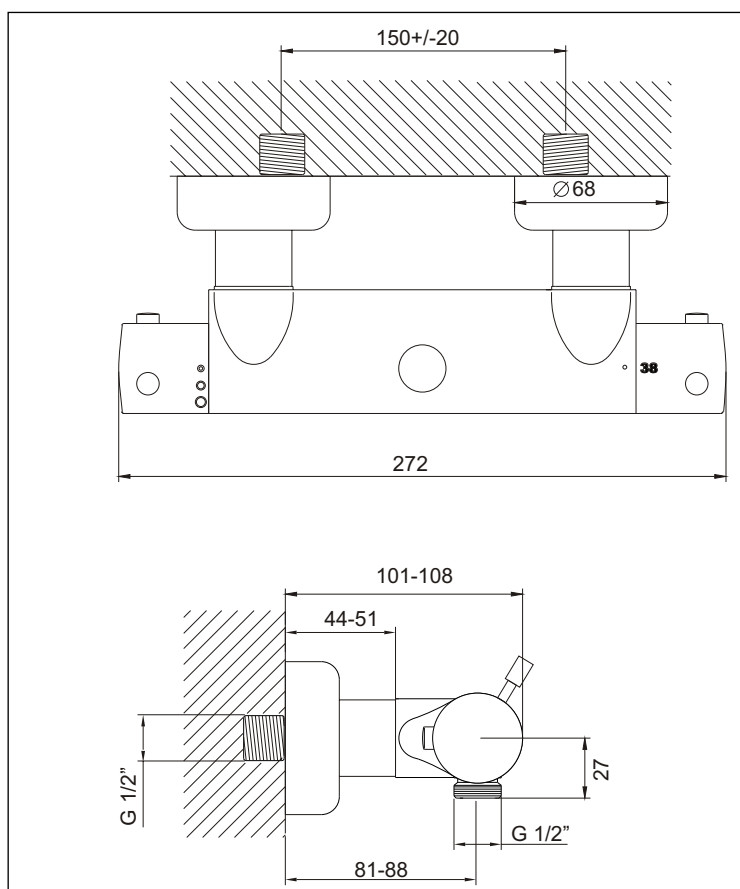
finish	code
chrome	34745-C
different product options (see following pages)	
without shower set	

IPURI

KAJA IPURI Shower thermostatic mixer DN 15

flow rate B
output 18 l/min
at 3 bar flow pressure

without shower set ,
with shower hose connection 1/2", back-flow preventer,
isolated temperature control handle with safety stop at
38°C, flow control valve with ceramic gasket disks and
ECO device, replaceable temperature control unit
and concealed S-connectors



finish	code
chrome	34710-C