

IPURI



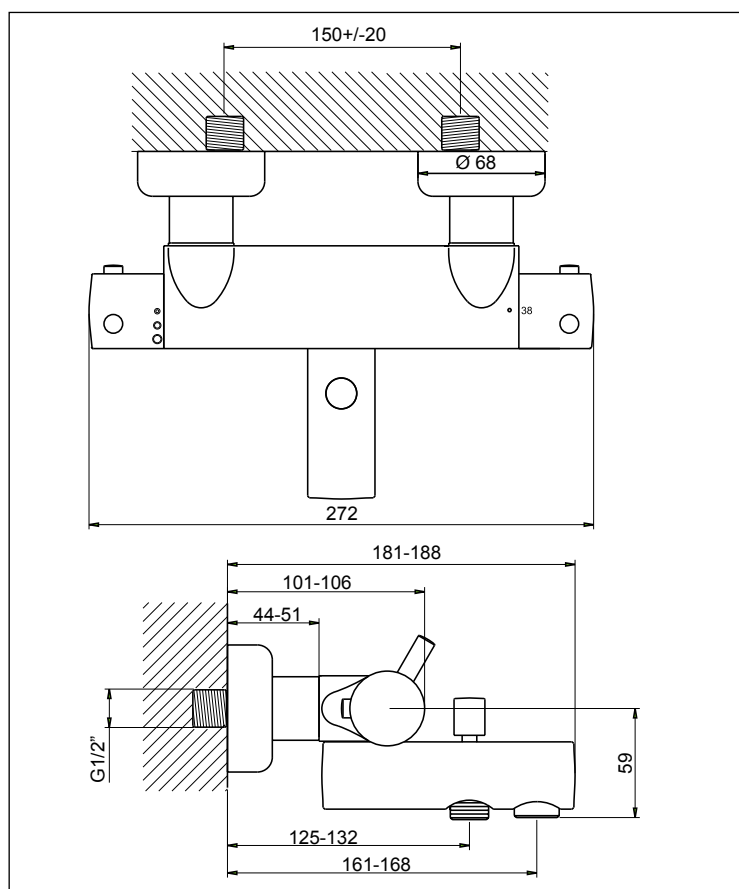
KAJA IPURI

Thermostatic bath and shower mixer DN 15 with shower set

flow rate B
output 19/19 l/min at 3 bar flow pressure

with aerator M 28x1, shower hose connection 1/2",
back-flow preventer, isolated temperature control handle
with safety stop at 38°C,
flow control valve with ceramic gasket discs and ECO
device, replaceable temperature control unit,
concealed S-connectors and automatic conversion
bath tub/hand shower

with shower set incl. Ipuri hand shower,
shower hose 125 cm and wall support



finish	code
chrome	34545-C
different product options (see following pages)	
without shower set	

IPURI

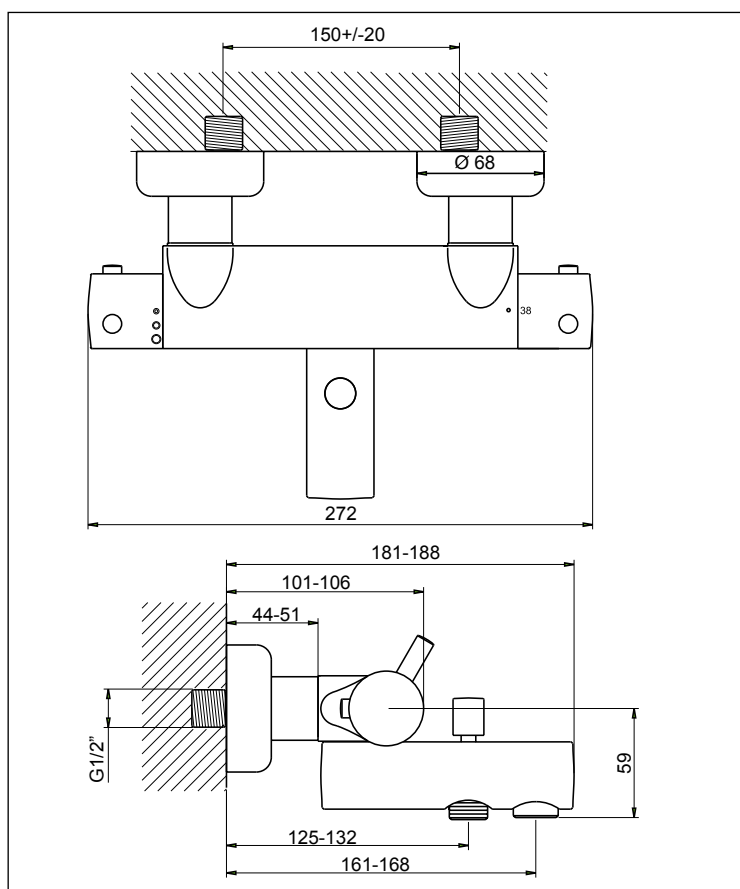
KAJA IPURI Thermostatic bath and shower mixer DN 15



flow rate B
output 19/19 l/min at 3 bar flow pressure

with aerator M 28x1, shower hose connection 1/2",
back-flow preventer,
isolated temperature control handle with safety stop at 38°C,
flow control valve with ceramic gasket discs and ECO device,
replaceable temperature control unit,
concealed S-connectors and
automatic conversion bath tub/hand shower

without shower set



finish	code
chrome	34510-C