

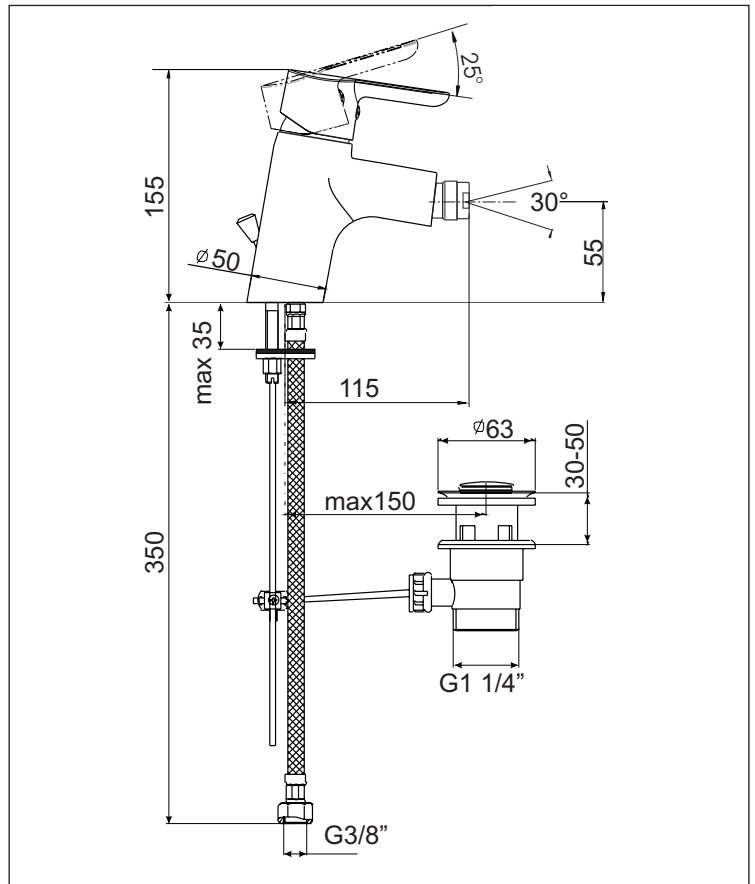
# MAGIS



## KAJA MAGIS Single-lever bidet mixer DN 15 with pop-up waste

flow rate A  
output 11,5 l/min  
at 3 bar flow pressure

with pop-up waste, ball-joint-jet M24x1,  
quick installation system,  
flexible connection hoses  
and mixing cartridge  
with ceramic-disks and adjustable  
temperature limiter



finish	code
chrome	44220-C