

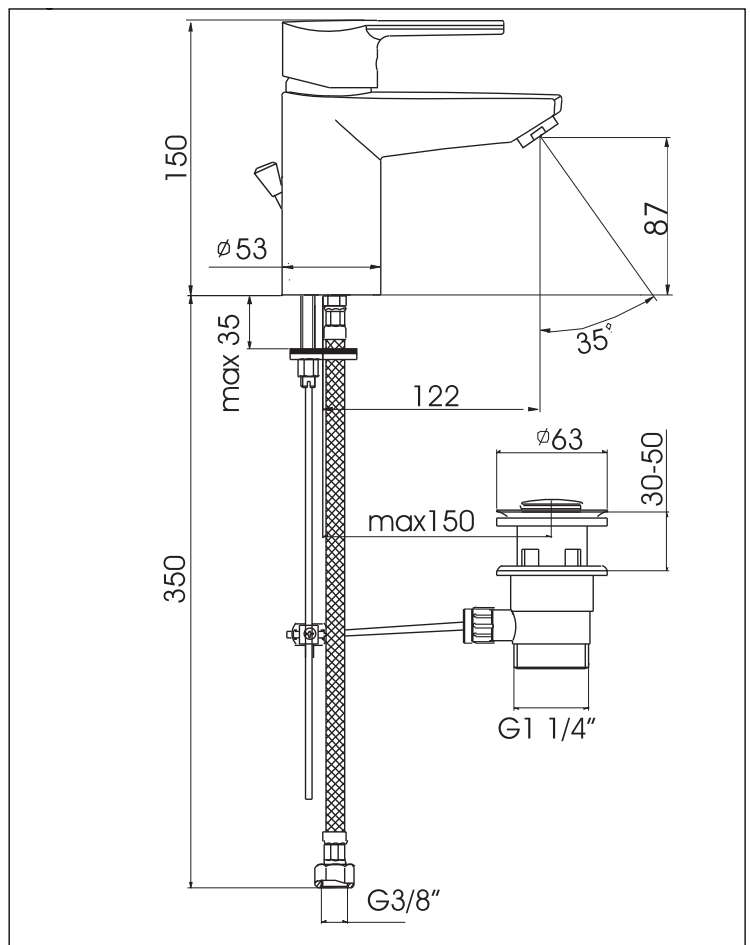
# SIGNUM



## KAJA SIGNUM Single-lever basin mixer DN15 with pop-up waste

flow rate A  
output 13 l/min  
at 3 bar flow pressure

with pop-up waste,  
aerator M24x1,  
quick installation system,  
flexible connection hoses,  
ECO mixing cartridge with SiC-/ceramic-disks  
and adjustable temperature limiter



finish	code
chrome	41020-C
<b>different product options</b> (see following pages)	
without pop-up waste	

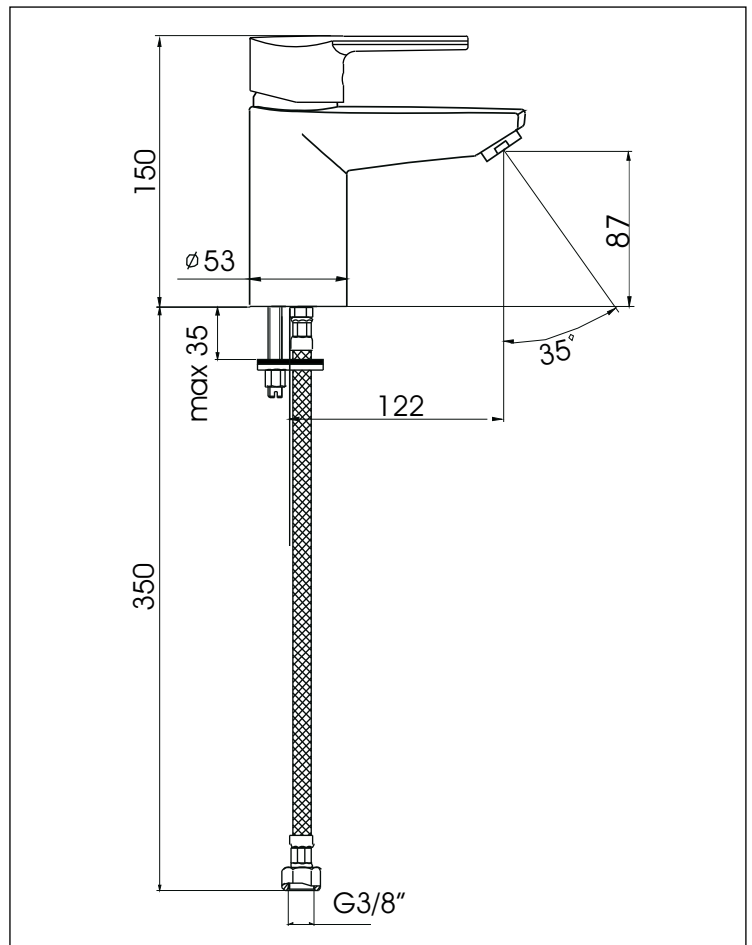
# SIGNUM



## KAJA SIGNUM Single-lever basin mixer DN15

flow rate A  
output 13 l/min  
at 3 bar flow pressure

without pop-up waste,  
aerator M24x1,  
quick installation system,  
flexible connection hoses,  
ECO mixing cartridge with SiC-/ceramic-disks  
and adjustable temperature limiter



finish	code
chrome	41010-C